

**WEIGHT — ALTITUDE — TEMPERATURE LIMITATIONS
FOR TAKEOFF, LANDING AND IN-GROUND-EFFECT MANEUVERS**

NOTE: ALLOWABLE GROSS WEIGHTS OBTAINED FROM THIS CHART MAY EXCEED CONTINUOUS HOVER CAPABILITY UNDER CERTAIN AMBIENT CONDITIONS. REFER TO HOVER CEILING CHARTS IN SECTION 4.

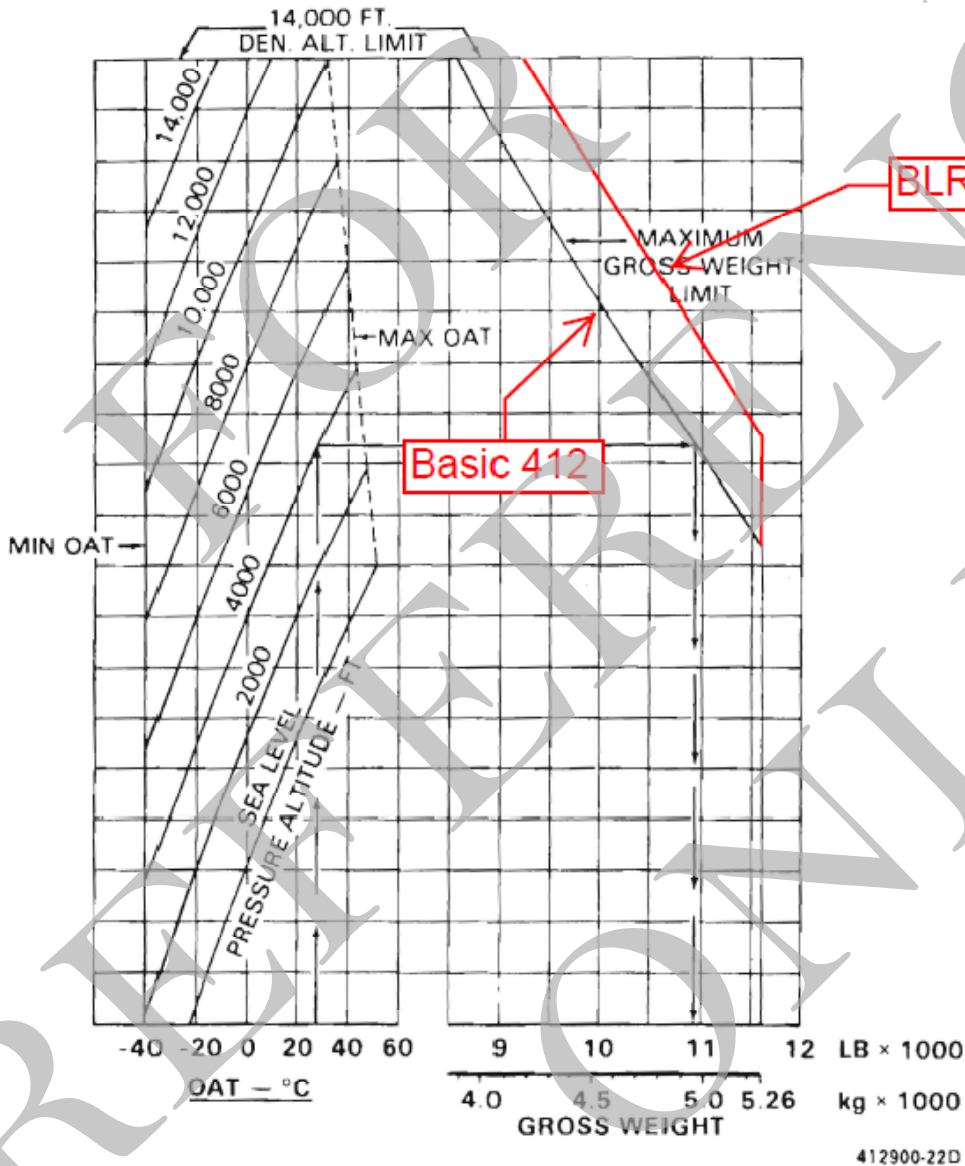


Figure 1-1. Weight-altitude-temperature limitations for takeoff, landing, and in-ground-effect maneuvers.

Bell 412 with BLR FastFin® System

Bell 412 with BLR FastFin® System

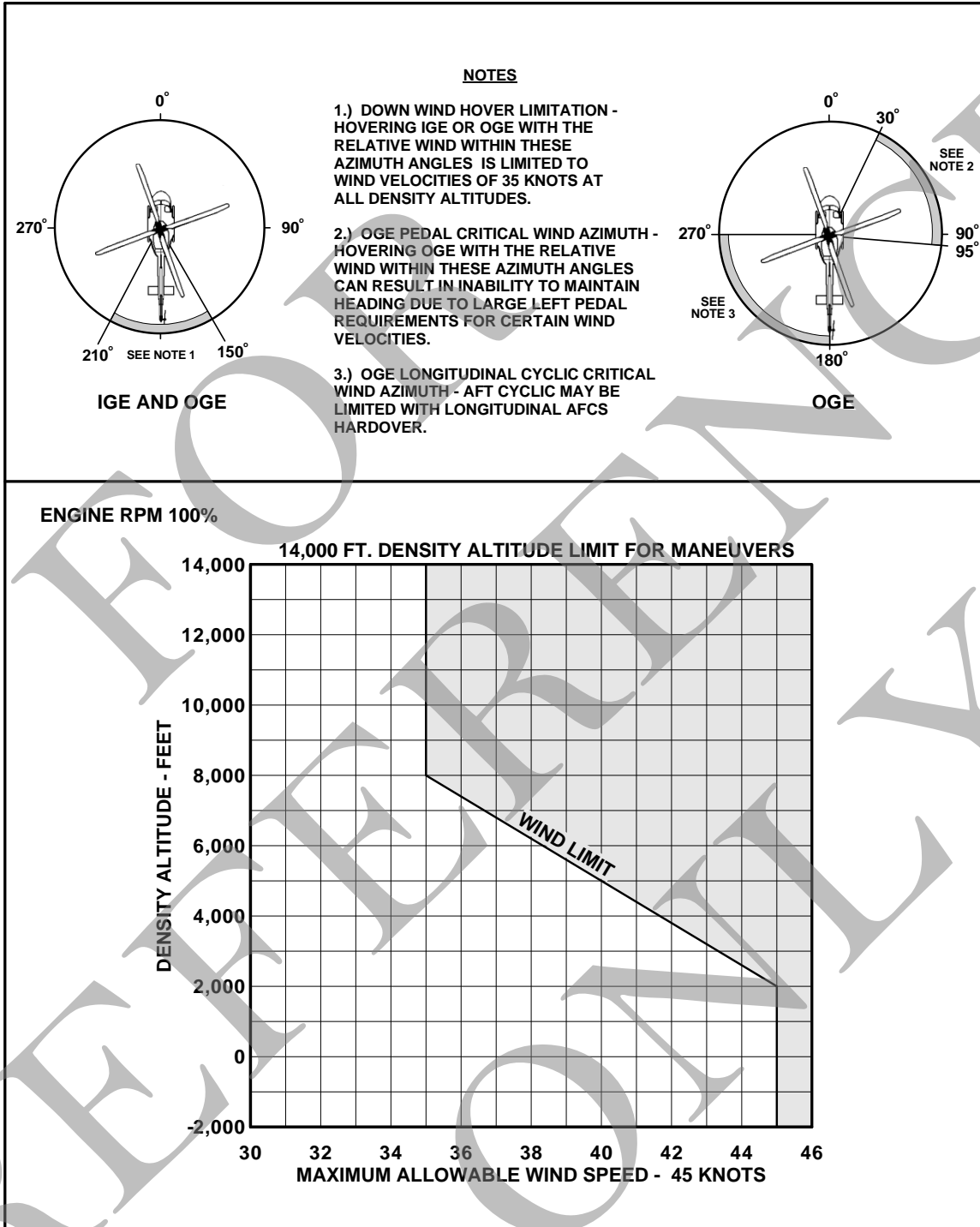


Figure 1-2. Maximum speed – Sideward and rearward flight, crosswind and tailwind at a hover.

Bell 412 with BLR FastFin® System

Section 5

WEIGHT AND BALANCE

Note all items remain as in the basic flight manual except the following:

The BLR FastFin™ System adds 3.8 lbs to the empty weight of the helicopter when installed. Revise the rotorcraft equipment list and weight and balance using the following data:

<u>Equipment</u>	<u>Weight</u>	<u>Arm</u>	<u>Moment</u>
BLR 412 S&FF Kit	3.8	266	1011.4